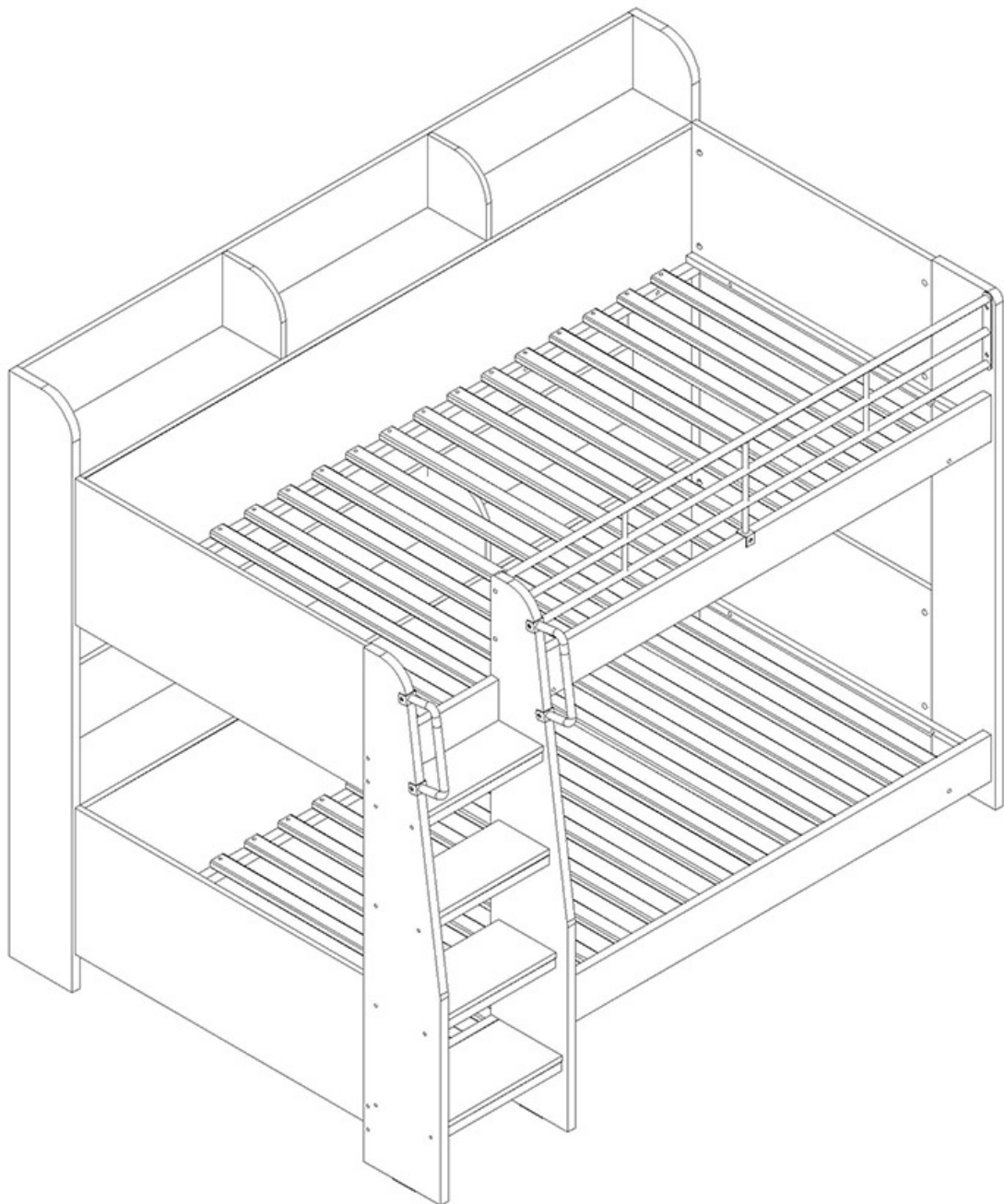
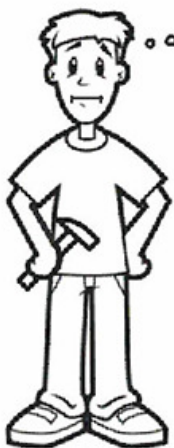
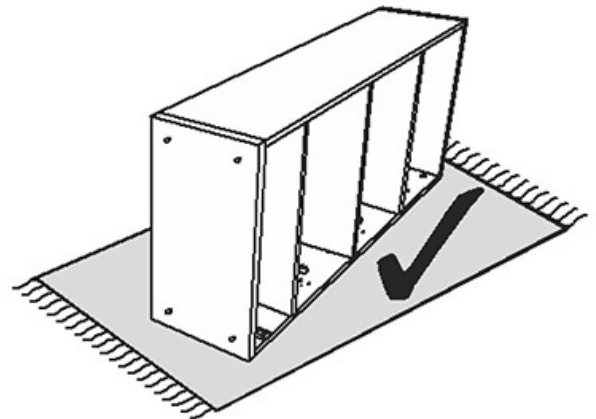
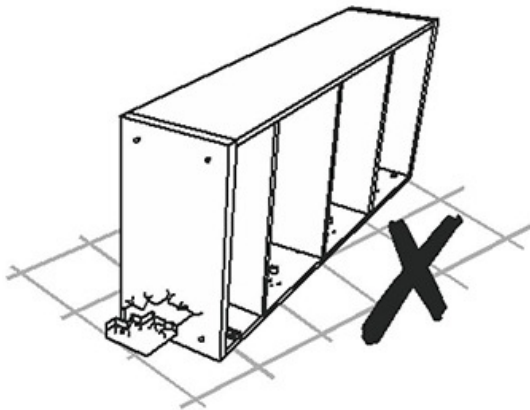
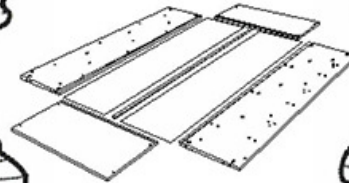
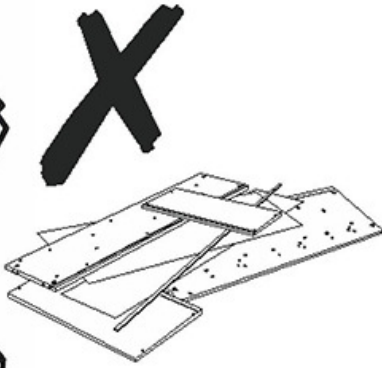
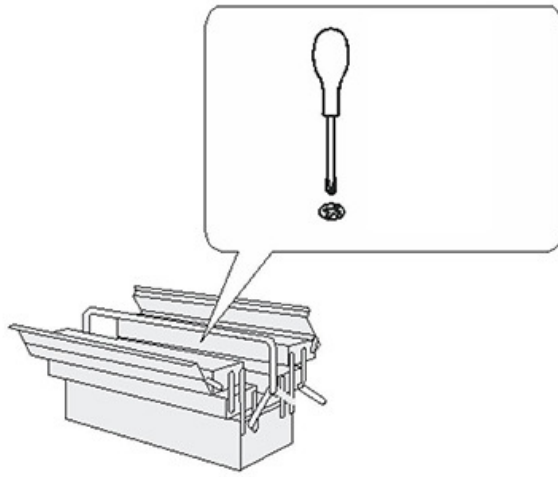
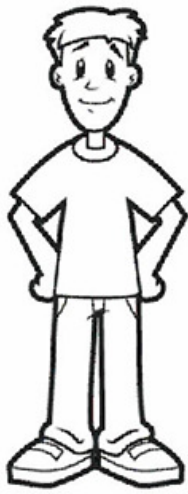


**IMPORTANT - READ CAREFULLY - RETAIN
FOR FUTURE REFERENCE**

Julian Bowen Limited

Domino Bunk Bed Assembly Instructions





Julian Bowen Limited
(01623 727374)

HARDWARE

A



Cam Stud

46PCS

B



Cam

46PCS

C



M4 x 45mm

20PCS

D



M8 x 25mm

72PCS

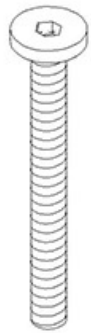
E



M6 x 13mm

8PCS

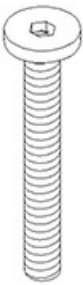
F



M6 x 60mm

8PCS

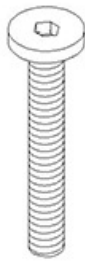
G



M6 x 50mm

16PCS

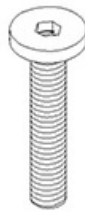
H



M6 x 45mm

4PCS

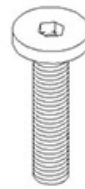
J



M6 x 35mm

18PCS

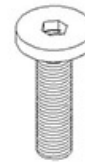
K



M6 x 30mm

76PCS

L



M6 x 25mm

9PCS

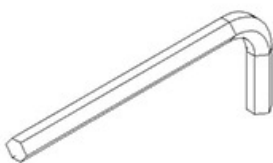
M



M6

19PCS

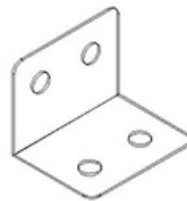
N



M4

2PCS

P



L Braket

8PCS

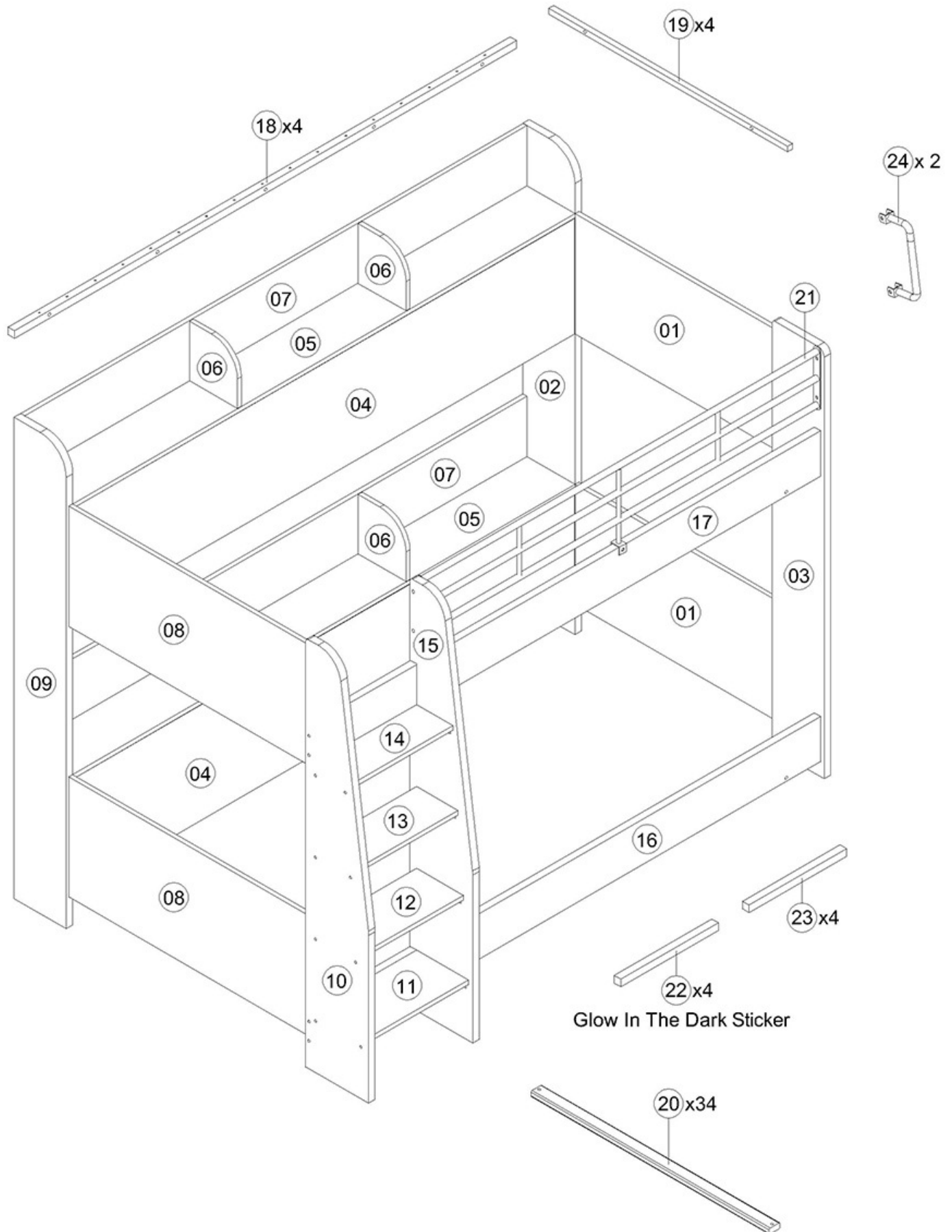
Q



M3.5 x 14mm

32PCS

PARTS



IMPORTANT INFORMATION

WARNING - High Beds and the upper bed of bunk beds are not suitable for children under six years due to the risk of injury from falls.

WARNING - Bunk beds and high beds can present a serious risk of injury from strangulation if not used correctly. Never attach or hang items to any part of the bunk bed that are not designed to be used with the bed, for example, but not limited to ropes, st rings, cords, hooks, belts and bags.

WARNING - Children can become trapped between the bed and the wall, a roof pitch, the ceiling, adjoining pieces of furniture (e.g.cupboards) and the like. To avoid risk of serious injury the distance between the top safety barrier and the adjoining structure shall not exceed 75mm or shall be more than 230mm.

WARNING - Do not use the bunk bed / high bed if any structural part is broken or missing. It is recommended that you always follow the manufacturer's instructions to assemble this product.

Always follow the manufacturer's recommended mattress size, as per these instructions and the bunk bed / high bed maximum mattress height marking on the item:

Recommended Mattress Size: 90cm x 190cm (UK Single) with Maximum Depth of 18.0cm

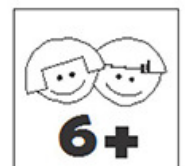
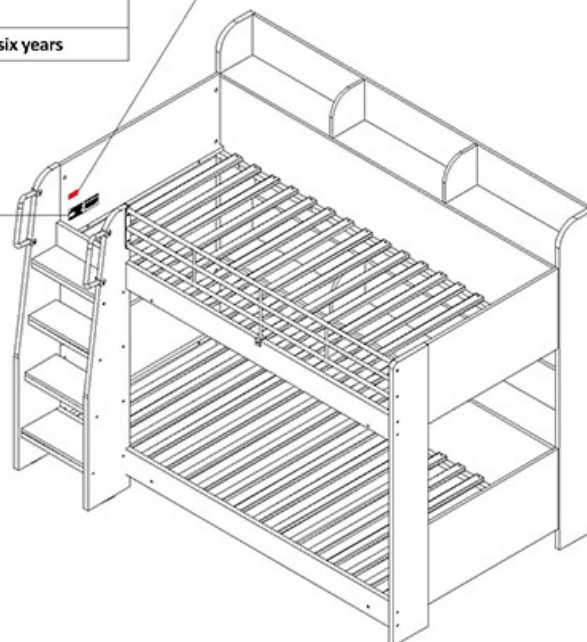
It is necessary to frequently ventilate the room in order to keep the humidity low and to prevent mold in and around the bed.

Please periodically check all the fixings of the item and re-tighten when necessary.

This item conforms to European Safety Standards - BS EN 747-1: 2012 + A1: 2015.

DOMINO BUNK BED Product Code - DOM001 / DOM002 Distributed by : Julian Bowen Limited Bentinck House, Park Lane Business Park, Kirkbv-in-Ashfield, Notts, NG17 9LE Factory ID : Manufactured in Malaysia Date of Manufacture : November 2013	CERTIFICATION LABEL This bunk bed model has been tested by an independent laboratory and is in compliance with EN 747-1:2012 Parts 1 and 2 - Standard Consumer Safety Specification For Bunk Beds
WARNING: This upper bed is not suitable for children under six years	

IMPORTANT SAFETY WARNING!
DO NOT PLACE THE MATTRESS ABOVE THE LINE MARKED ABOVE AND DO NOT REMOVE THIS LABEL



Safety Advice

Please take the time to carefully read through the whole of these instructions before you commence.

Keep these instructions for future reference.

Unpack, inspect and check off all of the contents.

Please dispose of all packaging safely.

Small component parts could choke a child if swallowed.

We strongly recommend that you keep children well away from the work area.

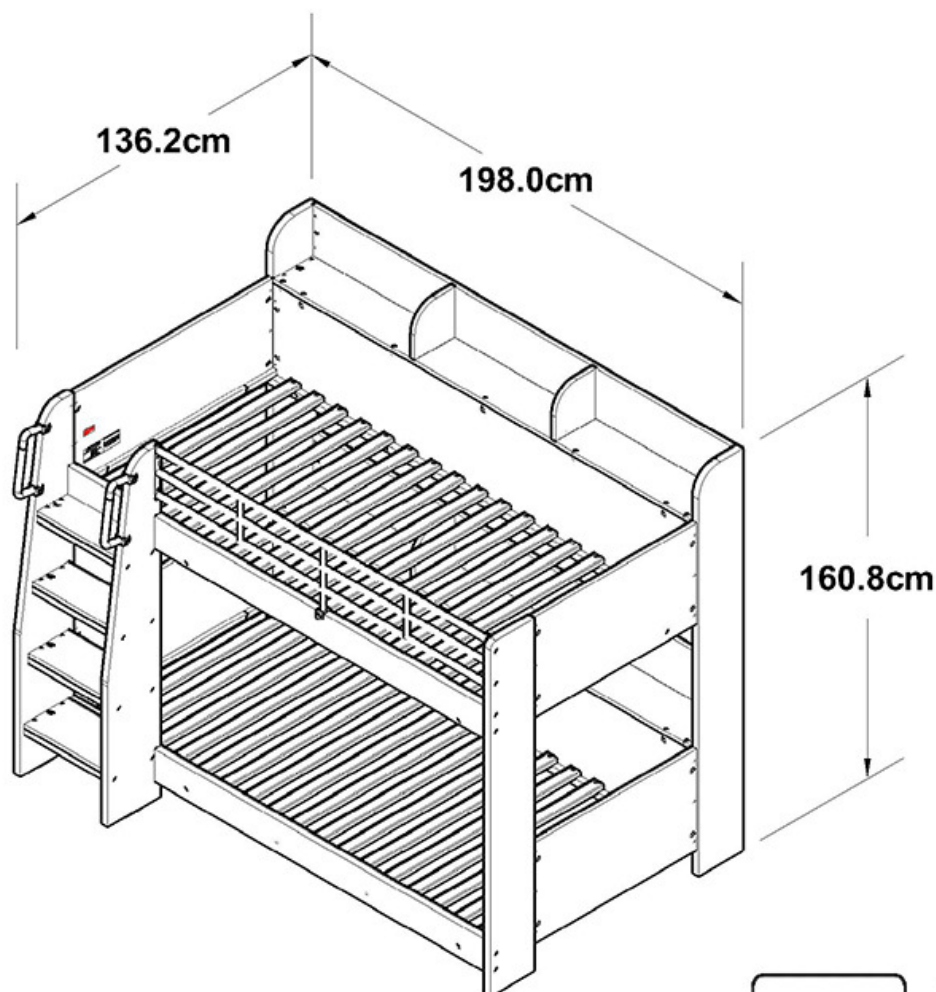
It would be sensible to lay a sheet or blanket on the floor where you intend to work to avoid scratching this product and to protect your floor.

This product is heavy. Take extreme care when lifting to avoid personal injury or damage to the product.

Assemble the product as close to its intended final position in the room as possible.

Please check the contents of boxes before attempting to assemble this product. A full checklist of parts and fittings is given in page 5 of this instruction leaflet.

HANDY HINT: If you keep the hardware in a bowl during assembly you will be less likely to lose them.



1



A x 30



B x 22



D x 32

WHEN FITTING CAMS

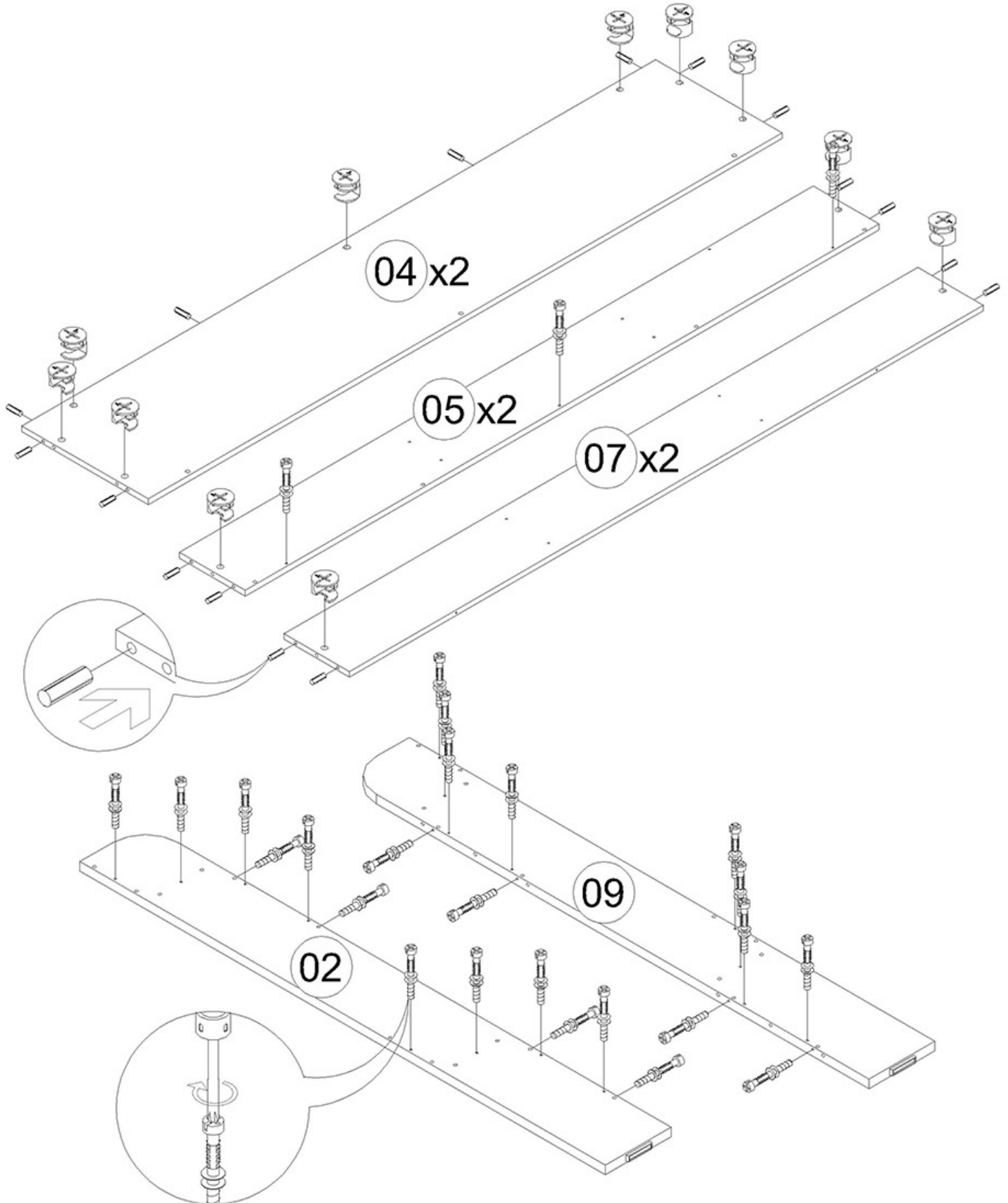
ENSURE STARTING POSITION IS CORRECT
BEFORE YOU INSERT CONNECTING BOLT
TURN CLOCKWISE UNTIL SECURE



↑
CORRECT



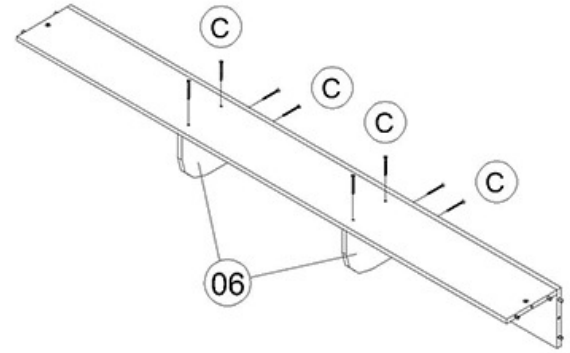
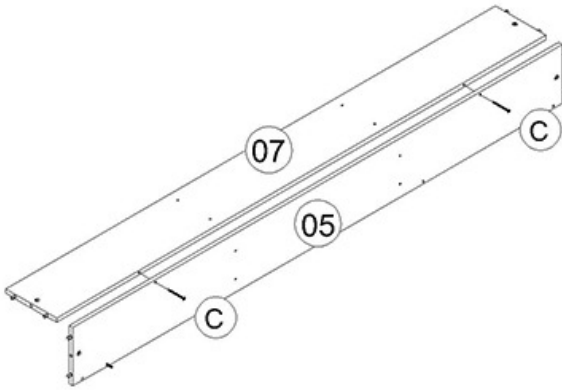
WRONG



2  C x 4

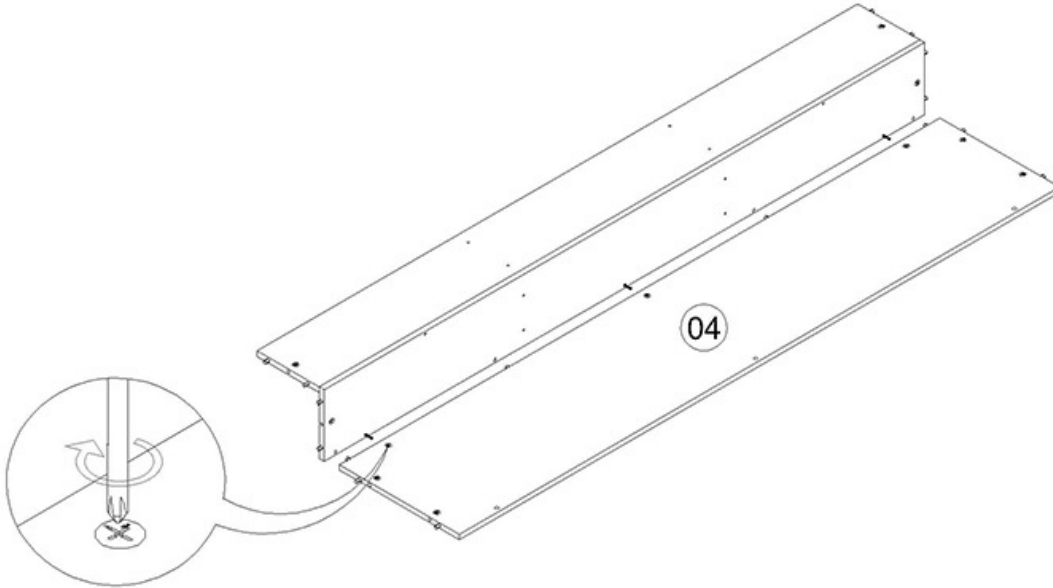
3  C x 16

x 2

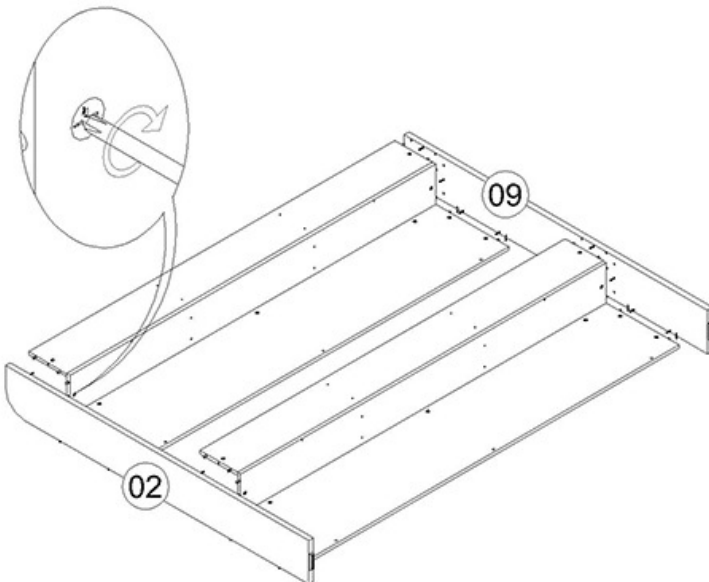


4

x 2



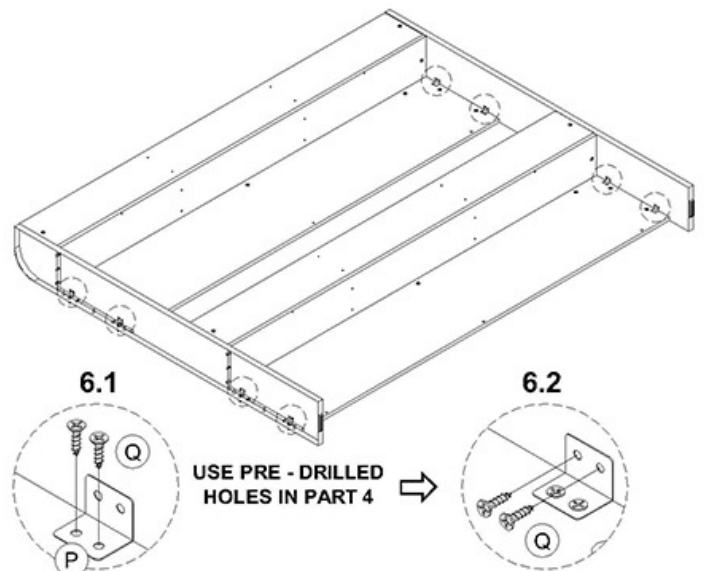
5



6

 P x 8

 Q x 32



7



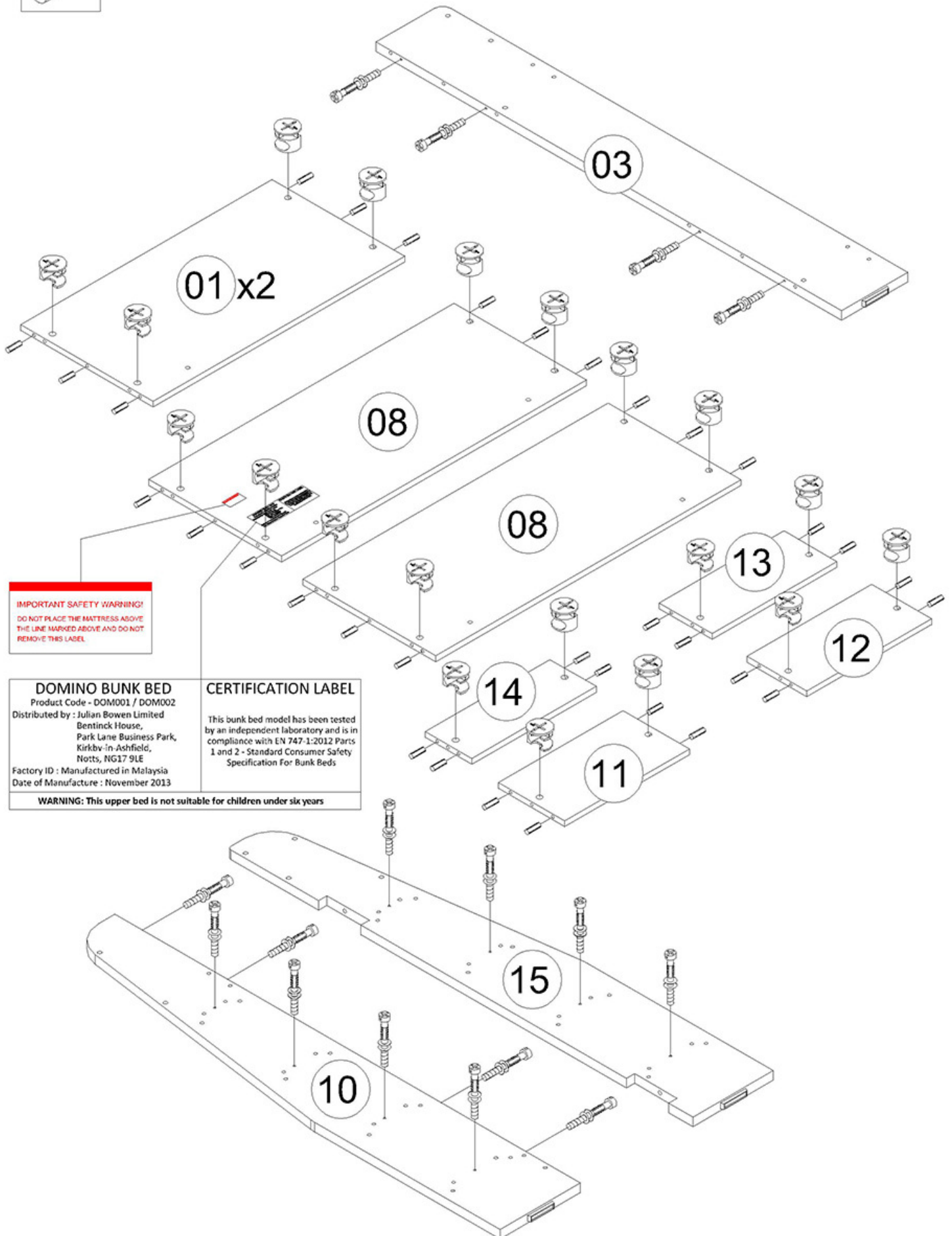
A x 16



B x 24



D x 40



IMPORTANT SAFETY WARNING!
DO NOT PLACE THE MATTRESS ABOVE
THE LINE MARKED ABOVE AND DO NOT
REMOVE THIS LABEL.

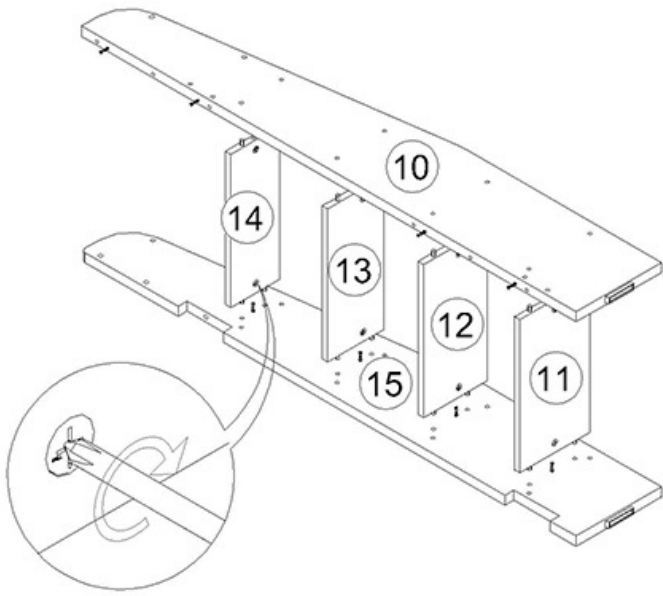
DOMINO BUNK BED
Product Code - DOM001 / DOM002
Distributed by : Julian Bowen Limited
Bentnick House,
Park Lane Business Park,
Kirkby-in-Ashfield,
Notts, NG17 9LE
Factory ID : Manufactured in Malaysia
Date of Manufacture : November 2013

CERTIFICATION LABEL

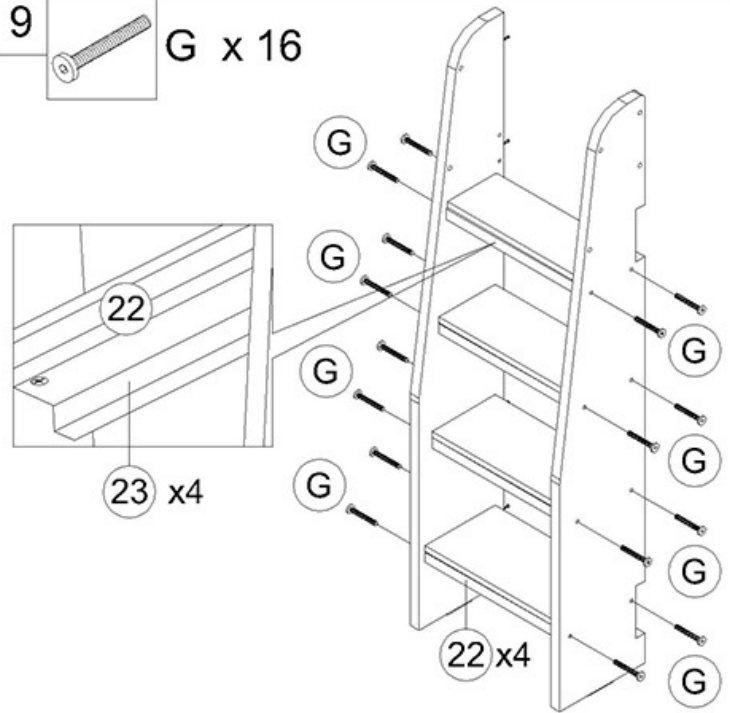
This bunk bed model has been tested
by an independent laboratory and is in
compliance with EN 747-1:2012 Parts
1 and 2 - Standard Consumer Safety
Specification For Bunk Beds

WARNING: This upper bed is not suitable for children under six years

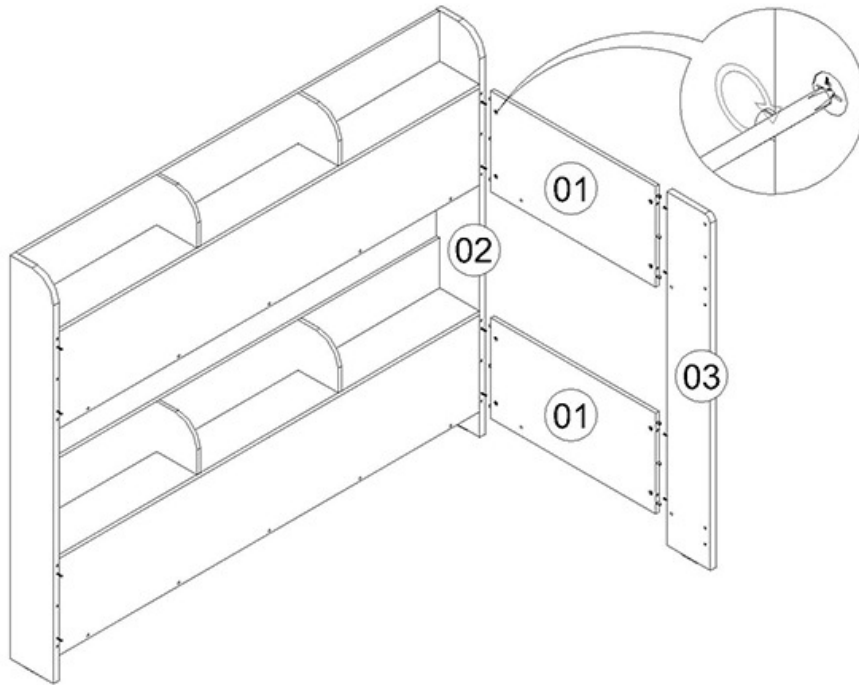
8



9



10



11



IMPORTANT SAFETY WARNING!
DO NOT PLACE THE MATTRESS ABOVE
THE LINE MARKED ABOVE AND DO NOT
REMOVE THIS LABEL

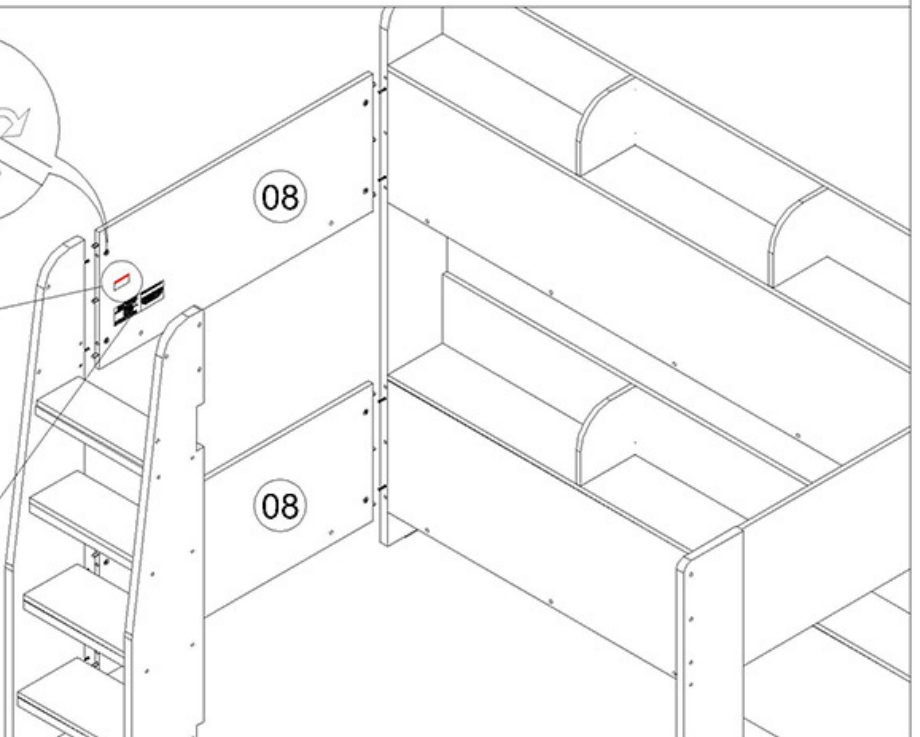
DOMINO BUNK BED

Product Code - DOM001 / DOM002
Distributed by : Julian Bowen Limited
Bentnick House,
Park Lane Business Park,
Kirkby-in-Ashfield,
Notts, NG17 9LE
Factory ID : Manufactured in Malaysia
Date of Manufacture : November 2013

CERTIFICATION LABEL

This bunk bed model has been tested
by an independent laboratory and is in
compliance with EN 747-1:2012 Parts
1 and 2 - Standard Consumer Safety
Specification For Bunk Beds

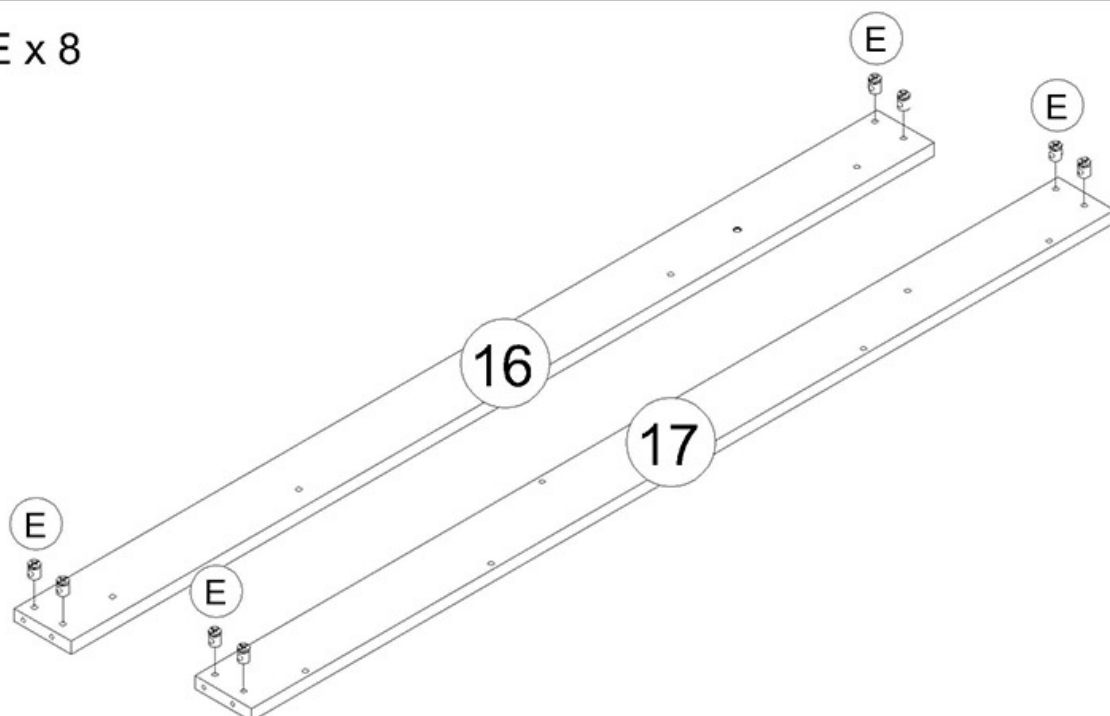
WARNING: This upper bed is not suitable for children under six years



12



E x 8



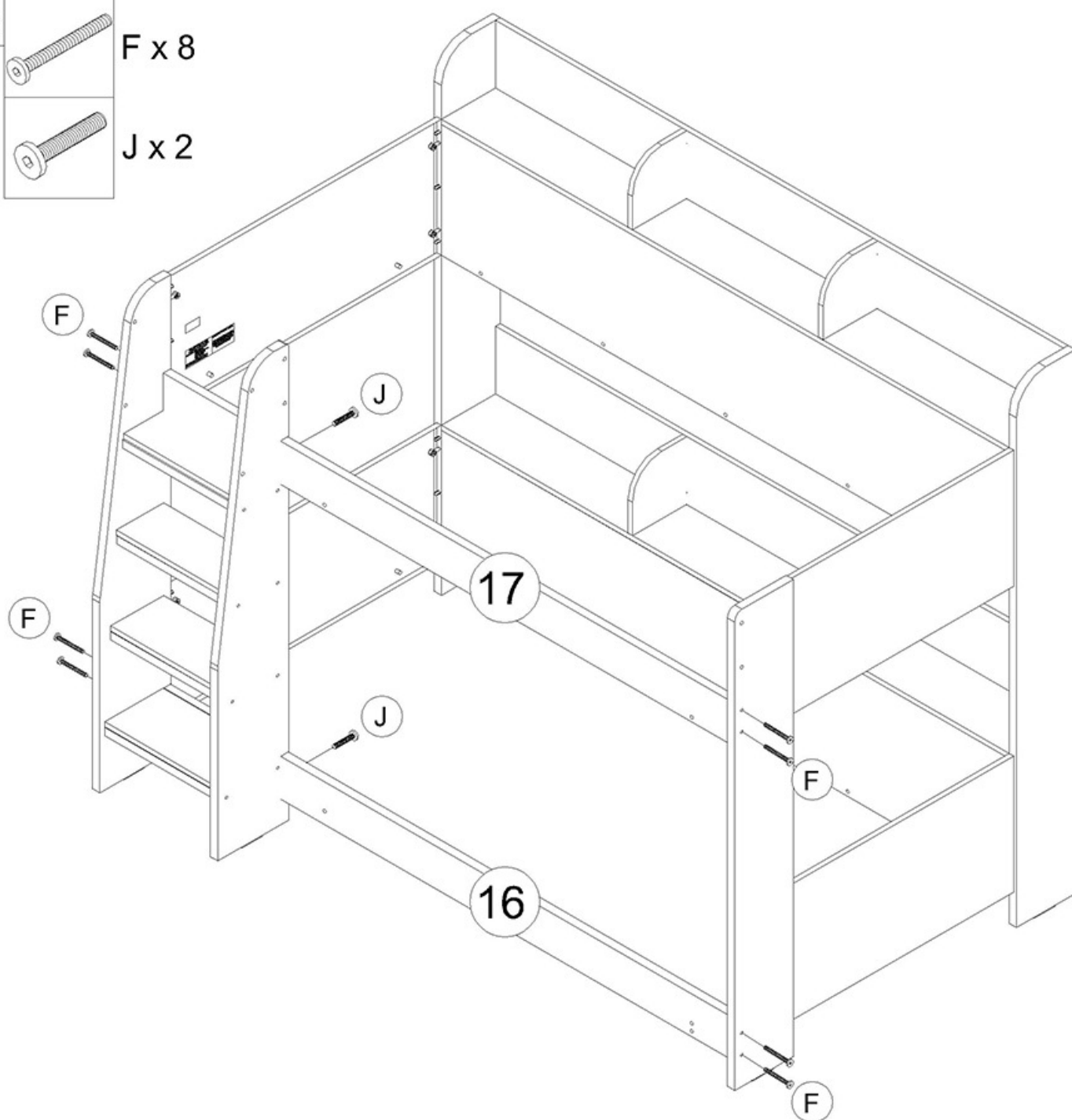
13



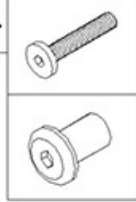
F x 8



J x 2



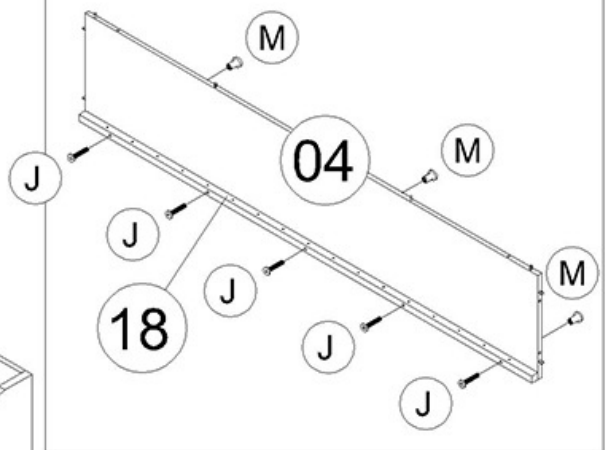
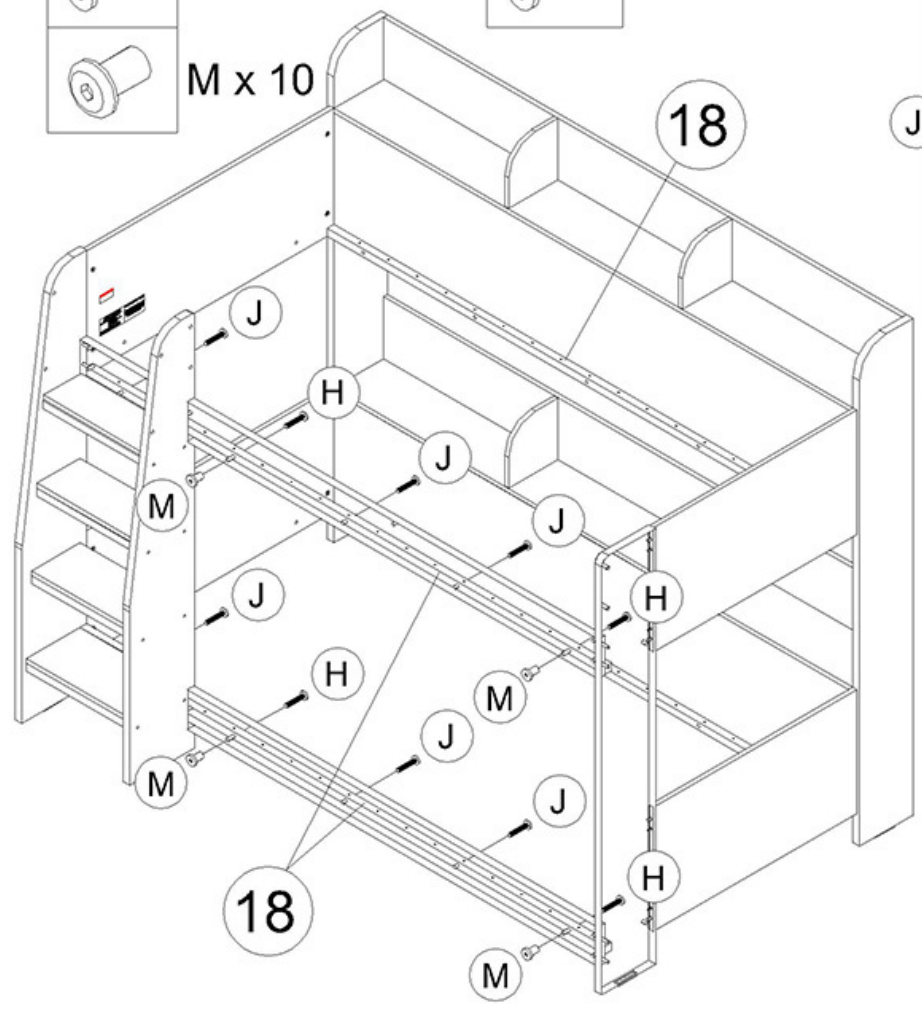
14



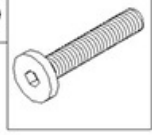
J x 16
M x 10



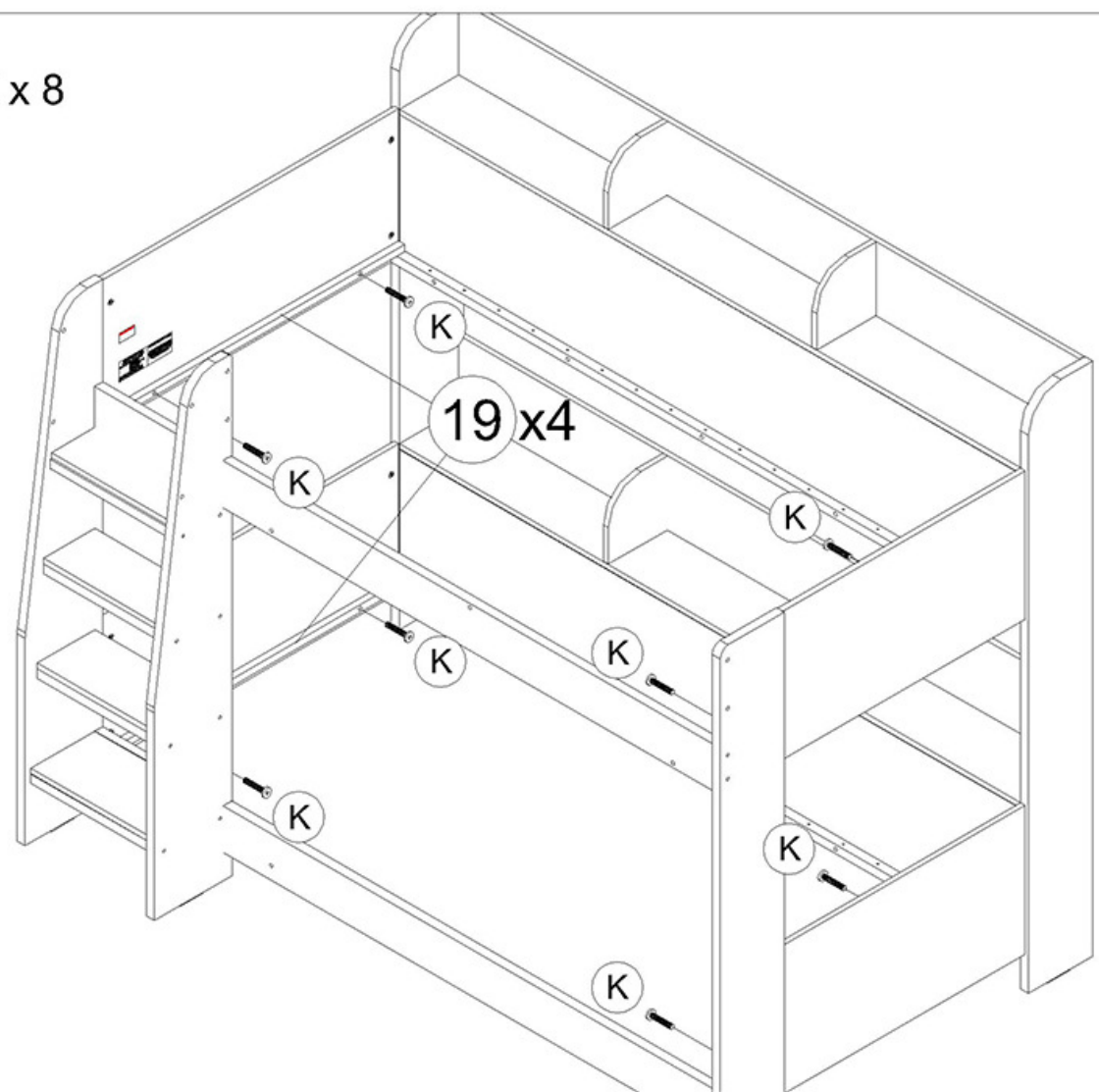
H x 4



15



K x 8



16



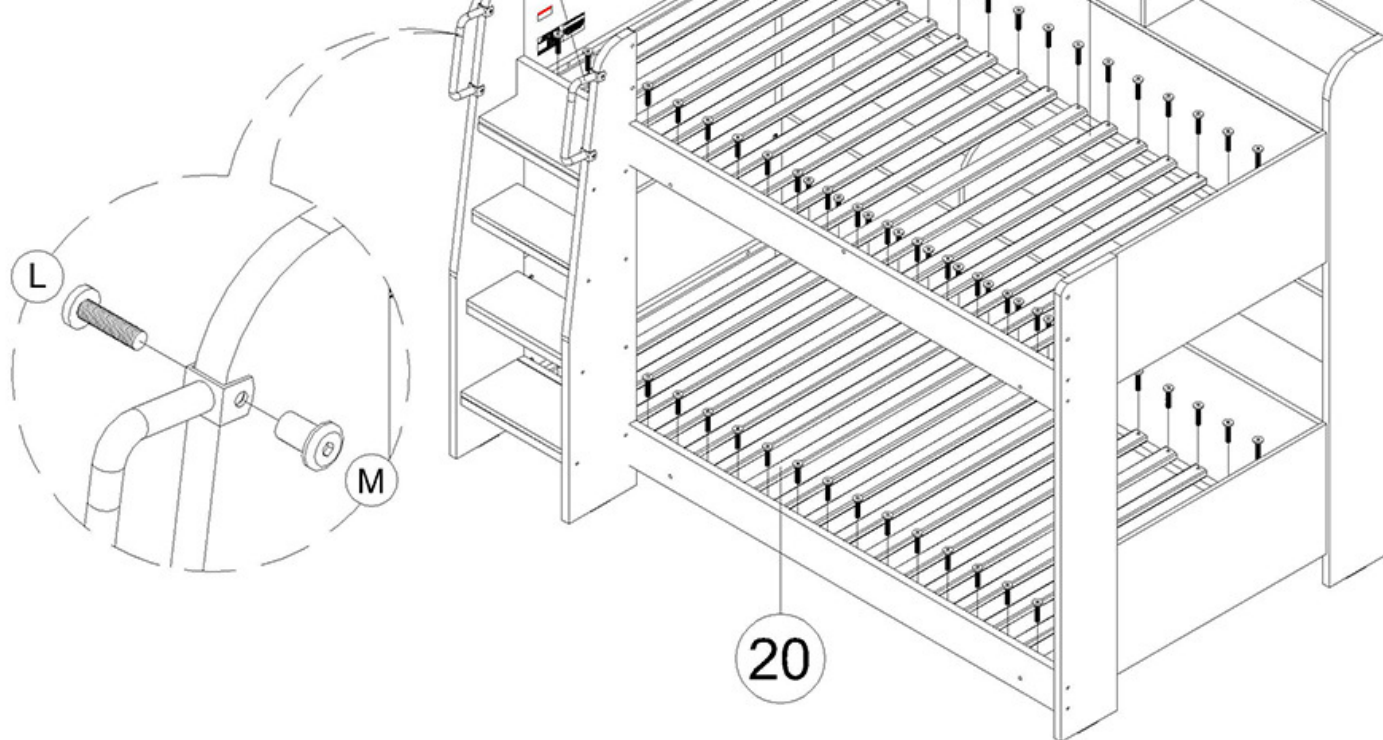
K x 68



L x 4



M x 4



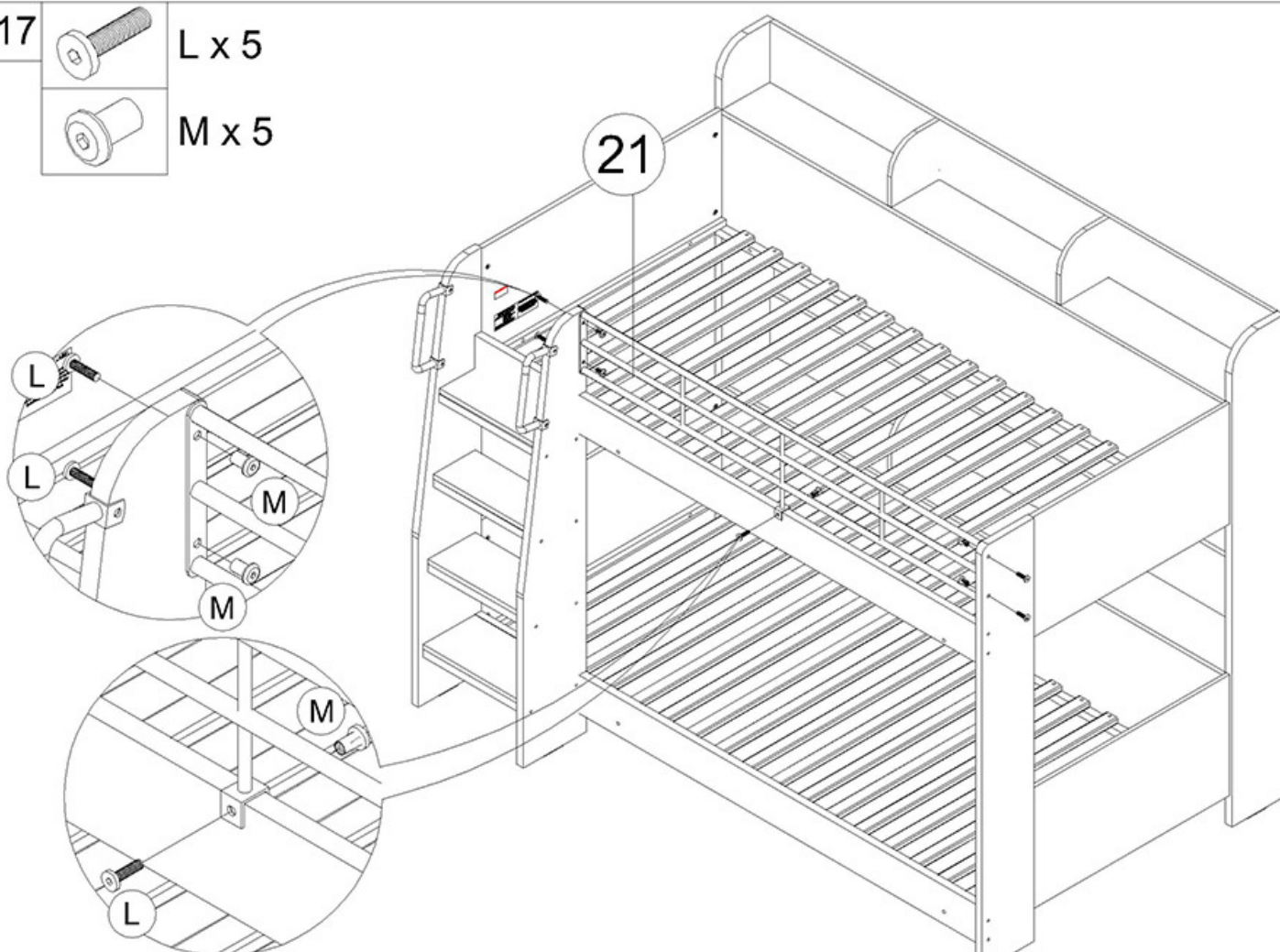
17



L x 5



M x 5



Your Domino Bunk Bed is now completed and ready to use.

General Care

Wipe clean with a slightly damp soft cloth.

Avoid the use of all household cleaners and abrasives.

When moving your furniture, carefully lift into place. Never drag or push the pieces across the floor as this will cause damage to the joints and could result in failure to the product that will invalidate the warranty.

Recommendations

Periodical re-tightening of fixings.

Warning

This unit is heavy. Please use an assistant when lifting.

Notes

We've tried to make this piece of furniture as easy to assemble as possible. In the unlikely event that you have problems putting it together or have damaged or missing pieces, please contact our customer services on 01623 727374

Julian Bowen Limited

Bentick House, Park Lane Business Park, Kirkby-in-Ashfield, Notts, NG17 9LE

www.julian-bowen.co.uk